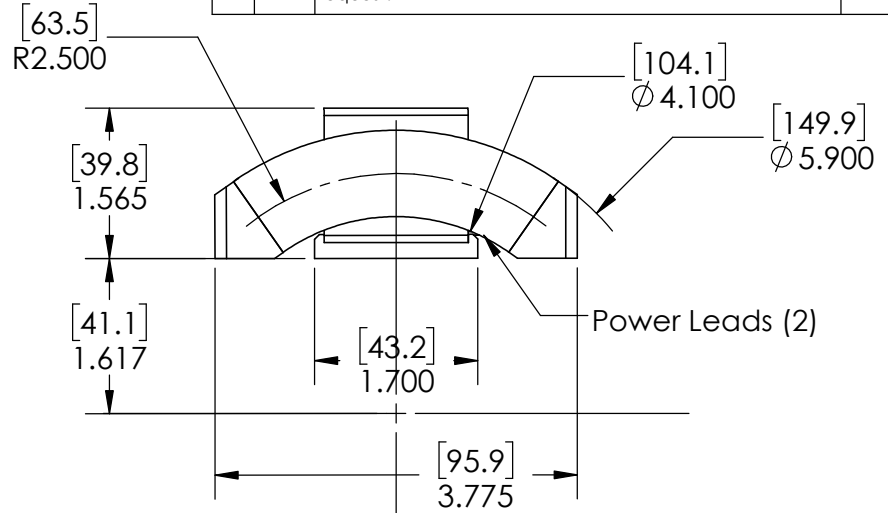
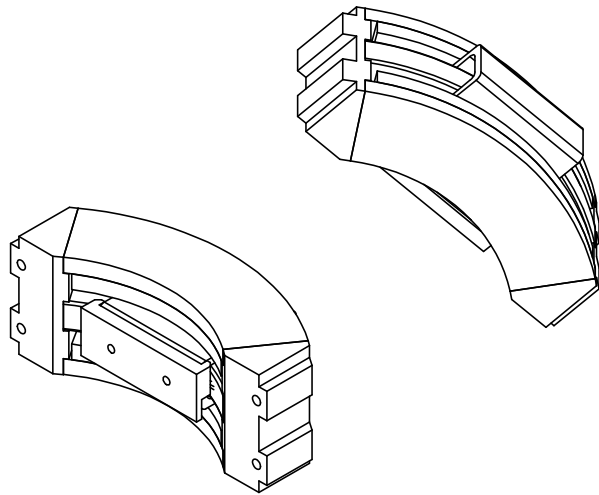


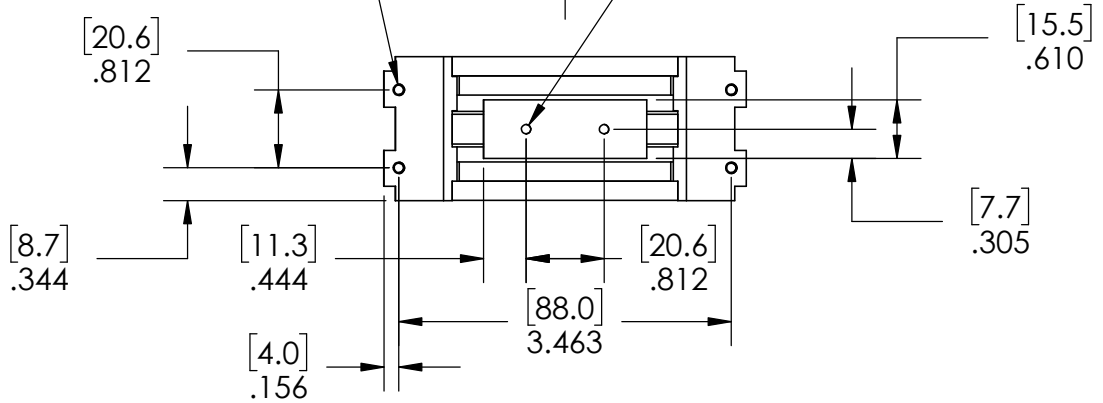
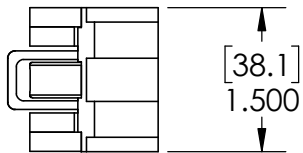
These drawings and specifications are the property of H2W Technologies, Inc. They are issued in confidence and shall not be reproduced, copied, or used without written permission from H2W Technologies, Inc. (www.h2wtech.com)

REVISION TABLE					
REV	ECN#	DESCRIPTION	REV BY	APPROVED	DATE
---	---	Original Drawing	JRM	MPW	3-31-15
A	1730	Modified Part to meet customer requirements	JRM	MPW	7-8-15
B	1759	Modified mounting provisions for customer per their request.	JRM	MPW	8-3-16



2X Ø .098 [2.5] ∇ .370 [9.4]
M3X0.5 - 6H ∇ .315 [8.0]

2X Ø .098 [2.5] THRU ALL
M3X0.5 - 6H ∇ .157 [4.0]



H2W Technologies, Inc.
26380 Ferry Court Santa Clarita, CA 91350 USA
Tel: (661) 291-1620 Fax: (661) 291-1626
www.h2wtech.com

UNLESS SPECIFIED OTHERWISE:
All dimensions are in inches
Standard Tolerances are as follows
.XXX ±.005 ANGLES ±1°
.XX ±.010 FILLETS .010
.X ±.020 CORNERS .010
Remove All Burs and Sharp Edges

MATERIAL			
FINISH			
DRAWN	DATE	APPROVED	DATE
JRM	3-31-15	MPW	3-31-15

TITLE			
Limited Angle Torque Motor Model TWR-015-142-1RC			
DWG #	REV	SHEET	
80-0289	B	1 of 2	

LIMITED ANGLE TORQUE MOTOR SPECIFICATIONS		
Motor P/N	TWR-015-142-1RC	
Device Type	WR	
Stroke	15 degrees	0.26 radians
Housed with Bearings	No	
Coil Mass	2.0 oz	58 grams
Total Mass	20.3 oz	575 grams
Resistance @ 20C	8.5 ohms	
Motor Constant	52 in-oz/sqrt(watt)	36 N-cm/sqrt(watt)
Torque Constant	154 in-oz/amp	108 N-cm/amp
Torque @ 100% Duty	142 in-oz	100 N-cm
Power @ 100% Duty	8 watts	
Current @ 100% Duty	0.9 amps	
Torque @ 10% Duty	426 in-oz	300 N-cm
Power @ 10% Duty	67 watts	
Current @ 10% Duty	2.7 amps	
Torque @ 6.25% Duty	568 in-oz	400 N-cm
Max Power @ 6.25% Duty	120 watts	
Current @ 6.25% Duty	3.7 amps	

*Torque and displacement values assume an arm of 2.5 inches.

TITLE	Limited Angle Torque Motor Model TWR-015-142-1RC		
DWG #	80-0289	REV	B
		SHEET	2 of 2